

Smart LED Module

U-Smart P6.67 (C-Smart Series)



- Pixel Pitch: 6.67mm, SMD Leds
- Size: 320(H)*640(W)mm/12.6*25.2inch
- Resolution: 48x96
- Weight: 5KG (11lb)
- Power Consumption: 130W/panel
- Brightness: 8000-8300 units
- Refresh Rate: 960-2880Hz



LED Panel



Die-casting Aluminum Frame



One Design Can Be All Kinds Of LED Signs

Banner Sign, Post Sign, Pole Sign, Mobile Sign, Roof Sign, Window Sign, Wall sign, Monument Sign Etc.



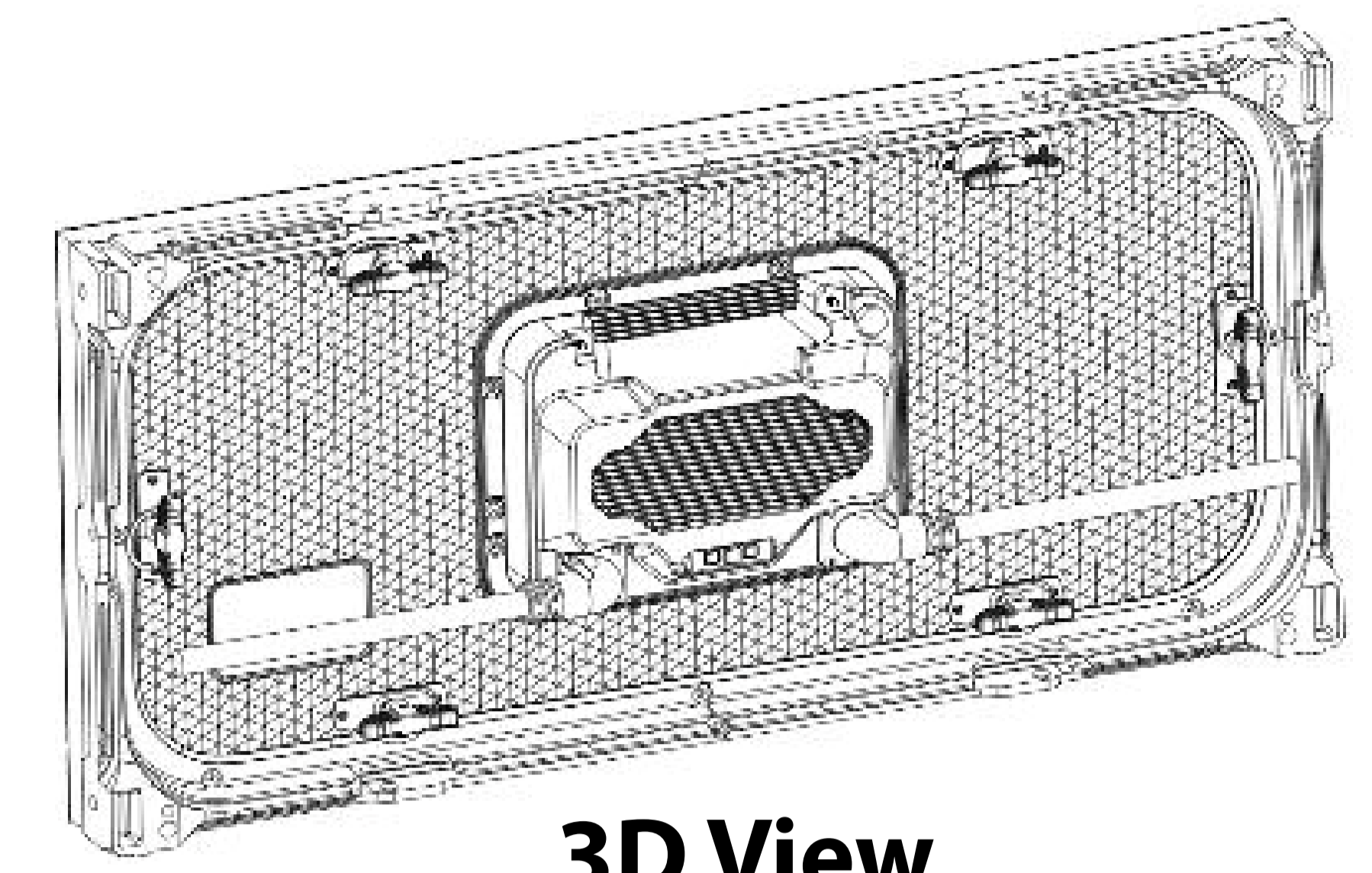
The perfect LED solution for:

Hospitality | Schools | Sports Stadiums |
Entertainment Venues | Retail | Manufacturing

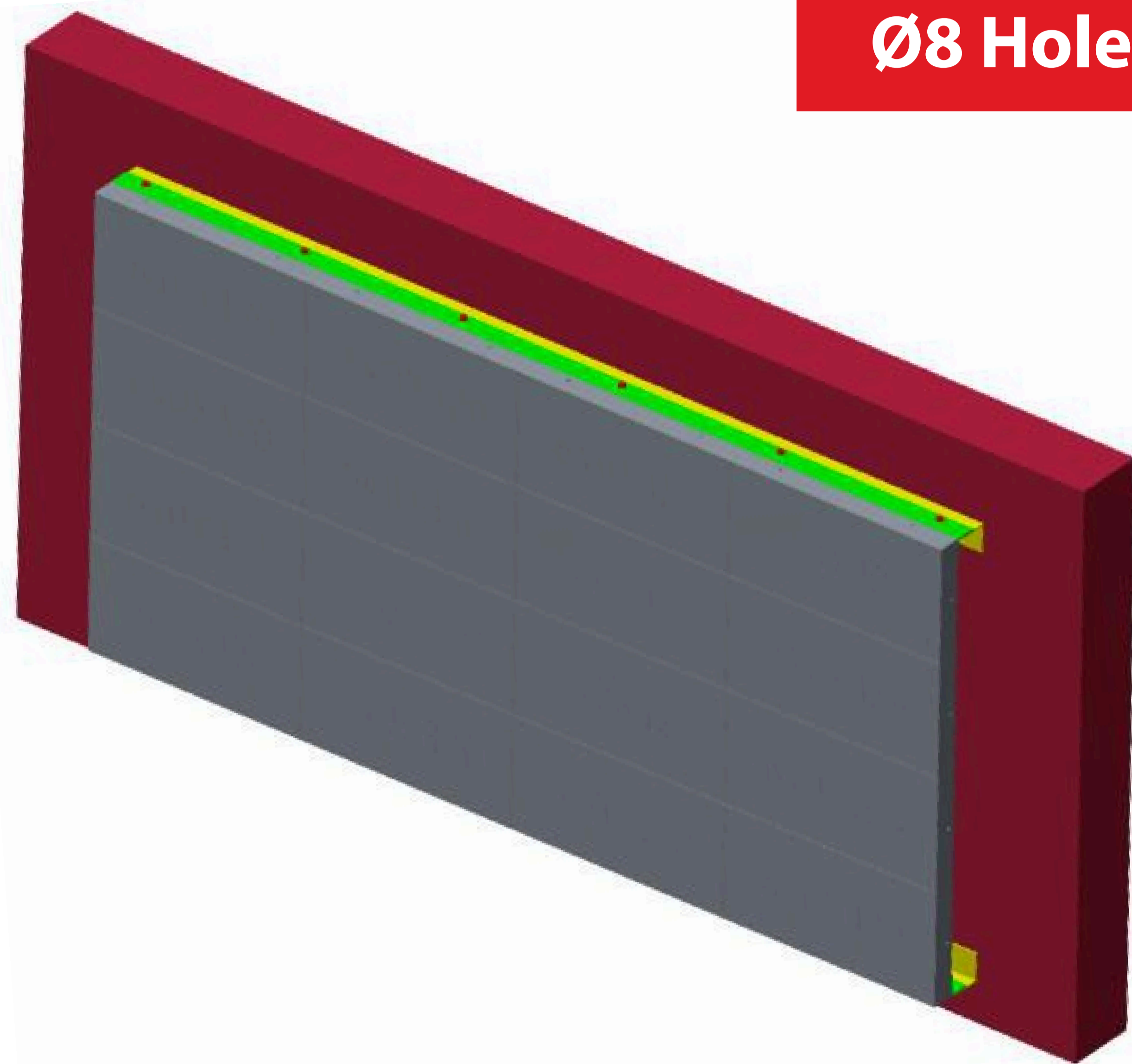


A. Wall Mount

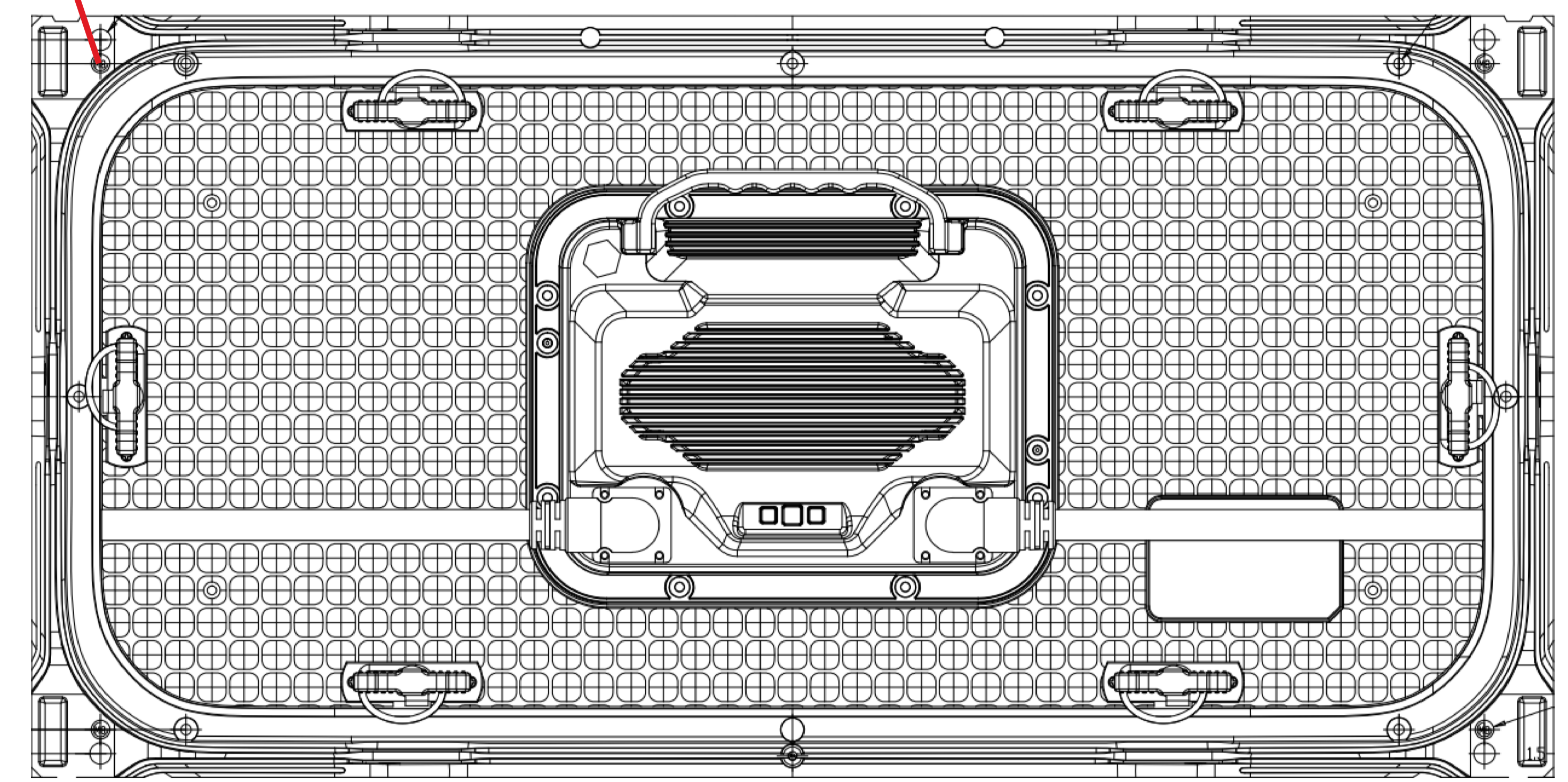
Installation Reference



3D View

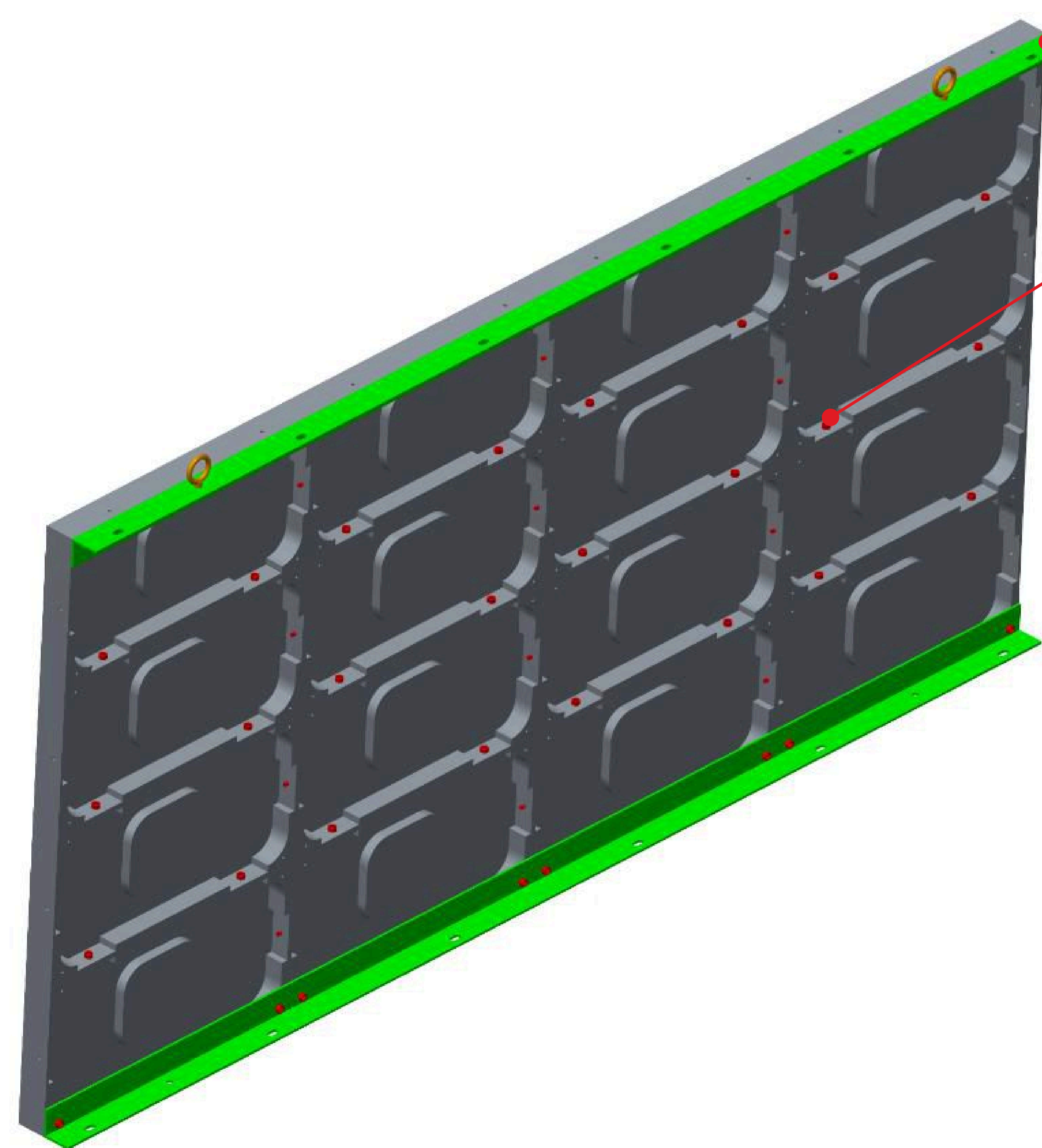


Ø8 Hole For Angle Iron Install



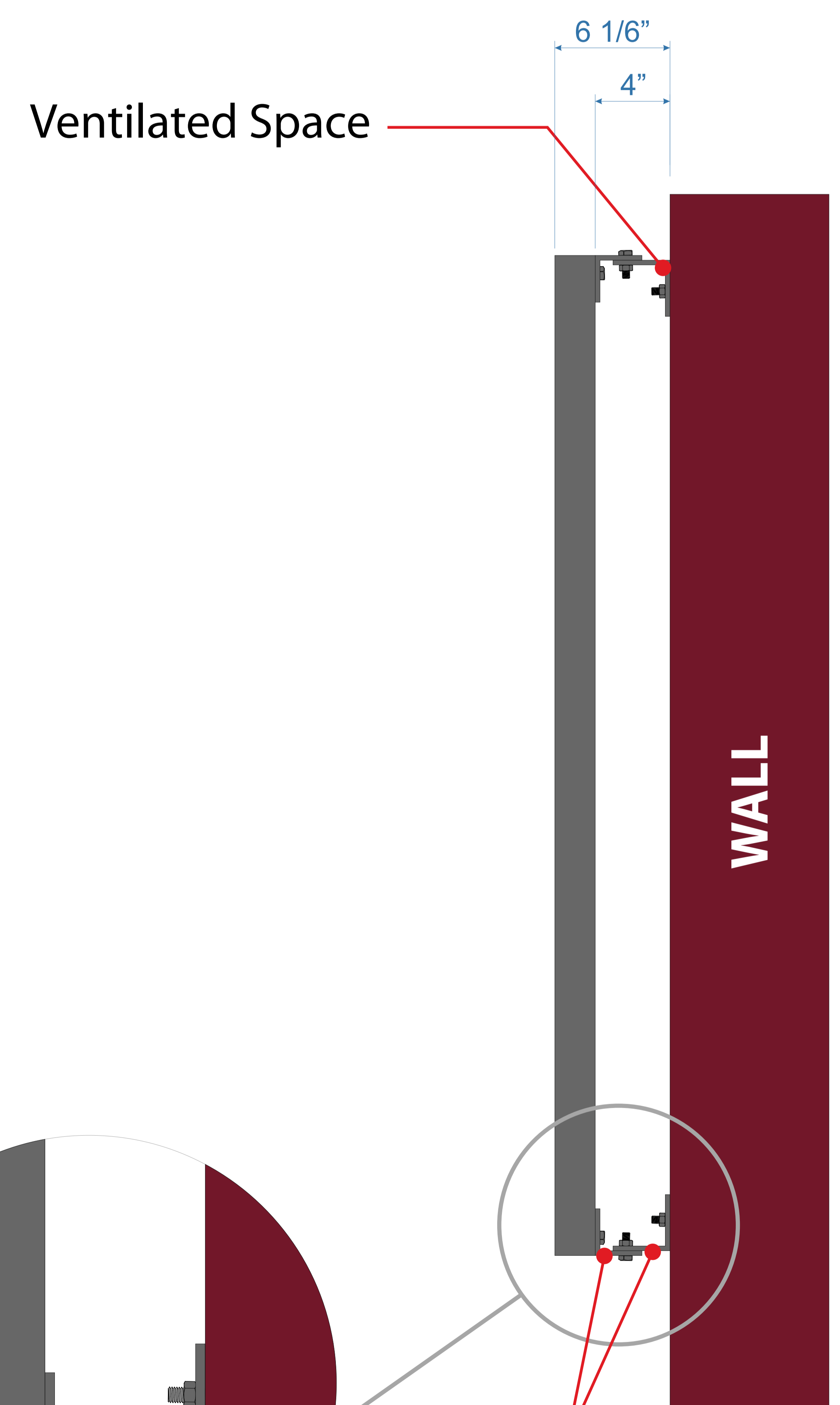
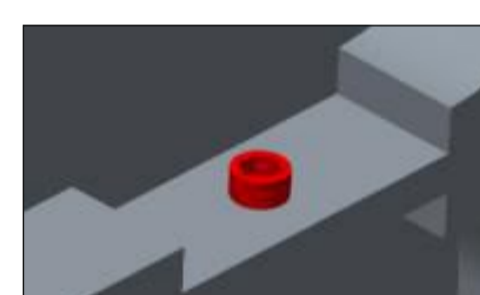
Unit LED Panel

Note: Angle Iron Install Only Apply To Small Sign Install



B. Install Angle Iron To The Screen

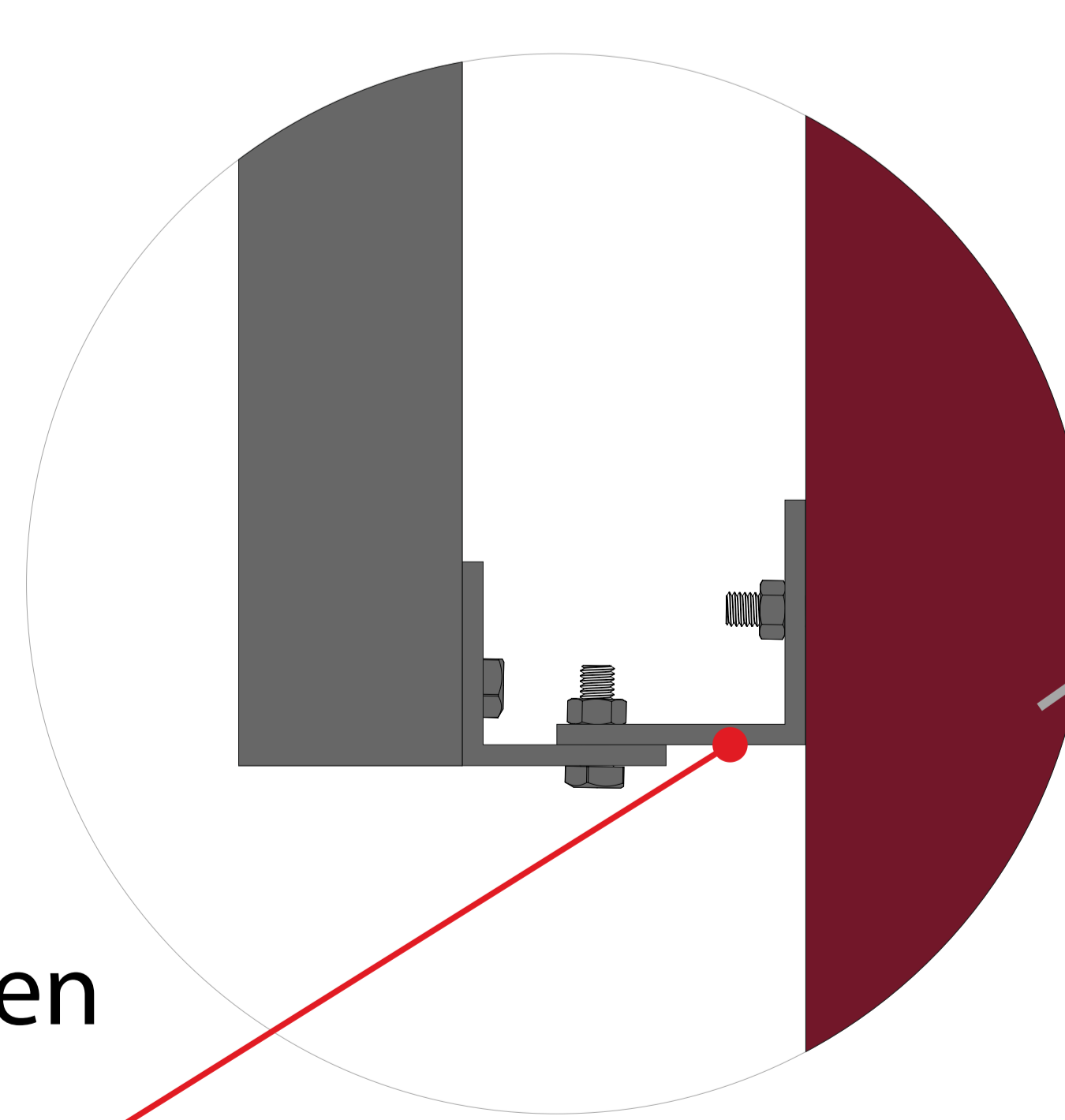
A. Fastening The Panels With Screws And Make It A Big Screen



Ventilated Space

Angle Iron 3"*3"*1/4"

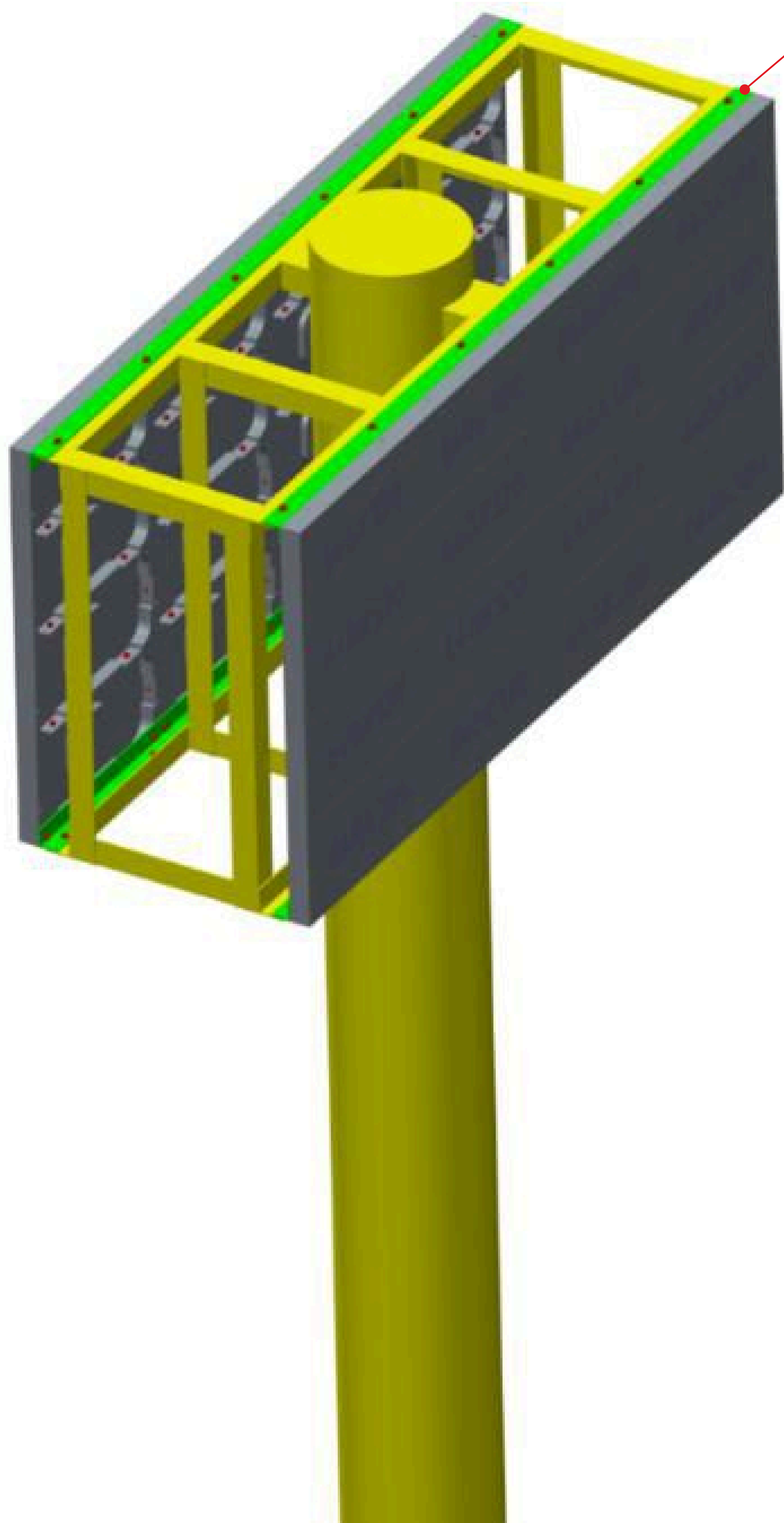
C. Install Another Angle Iron To The Wall And Fasten These Two Angle Iron



Note: The Angle Iron & Hanging Ring Are Not Provided, And This Installation Is Just For Your Reference. Actual Installation Is Subject To The Local Regulation

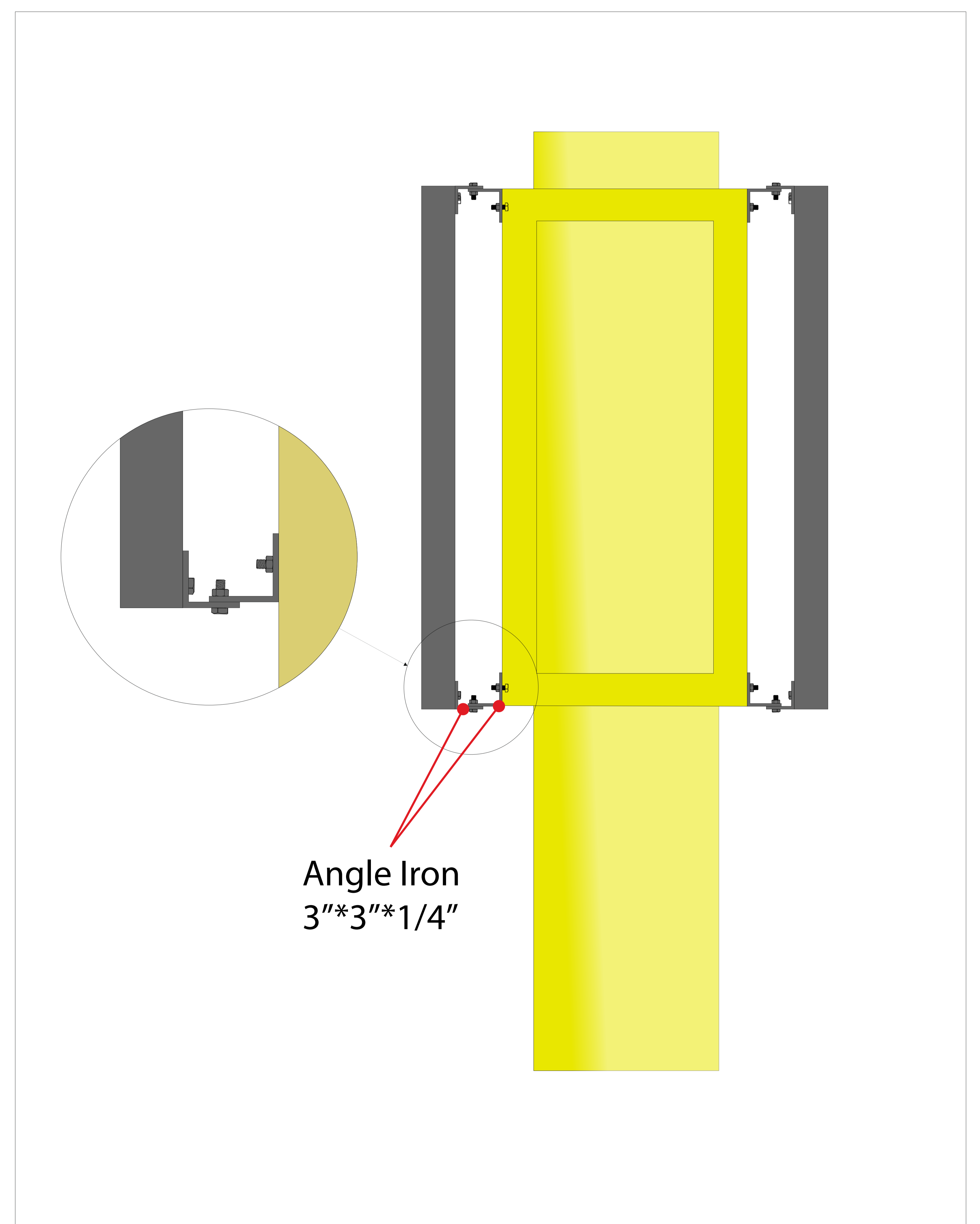


B. Pole Mount



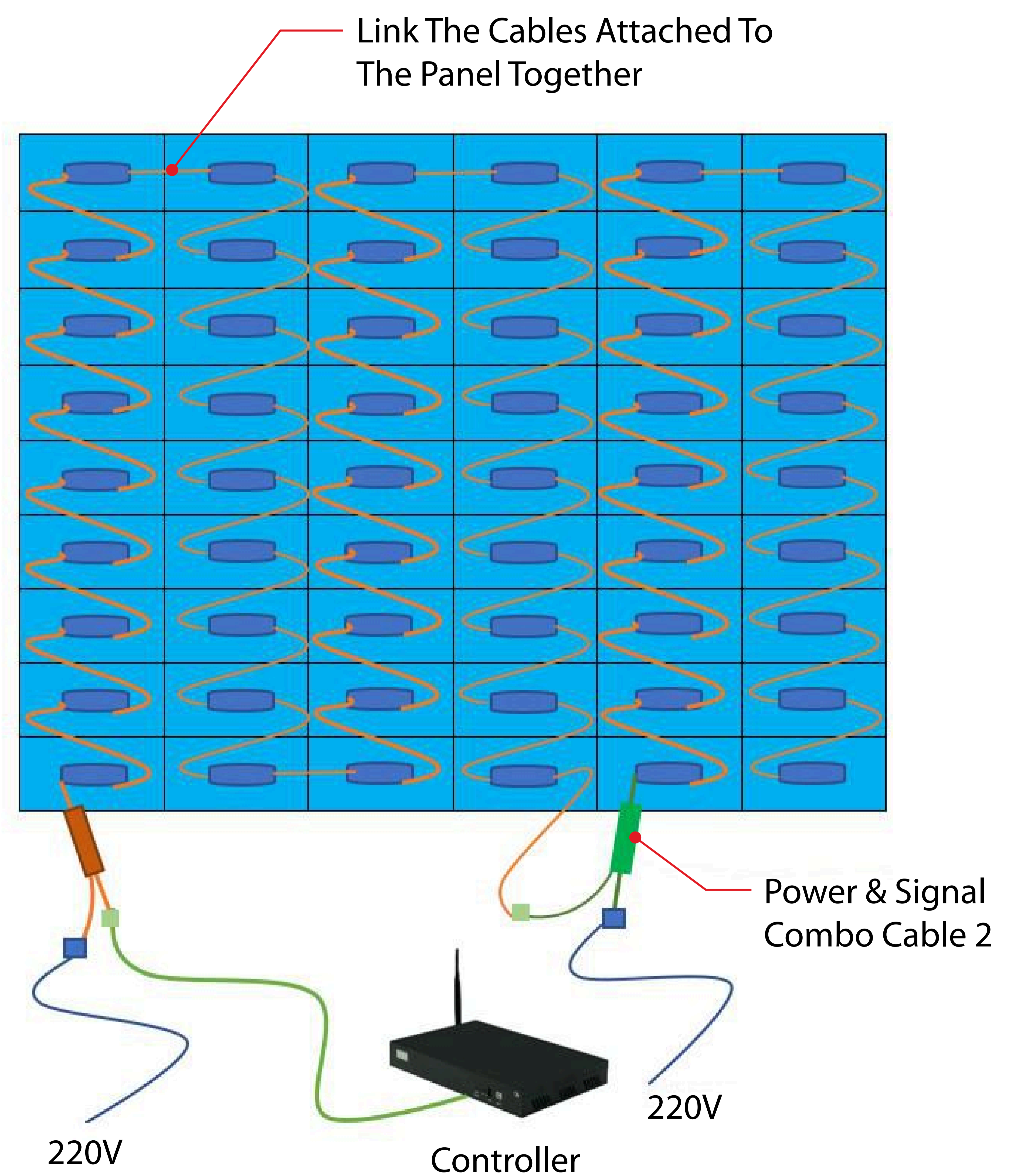
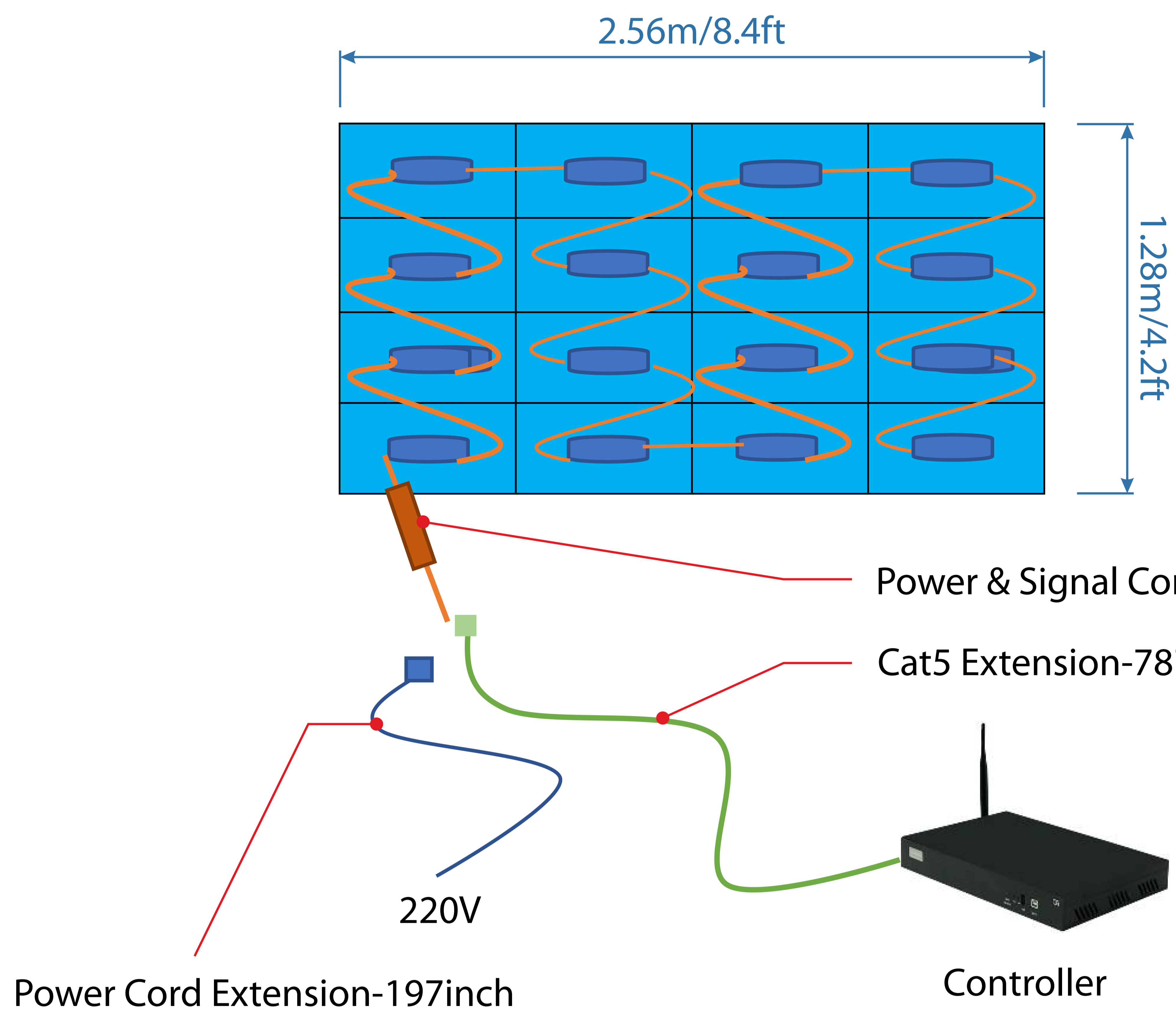
Please Refer To The Step A & B Mentioned Above, Install The Screen And Angle Iron

Note: Angle Iron Install Only Apply To Small Sign





System Connection



Note:

@110V, 18pcs Panels Would Need 1pc Combo Cable 1, Next 18pcs Panels In A Screen Would Need Another 1pc Combo Cable 2.

@220v, 36pcs Panels Would Need 1pc Combo Cable 1, Next 36pcs Panels In A Screen Would Need Another 1pc Combo Cable 2. (The Demonstration Above Is For 220V Usage)



Solutions

Solution 1



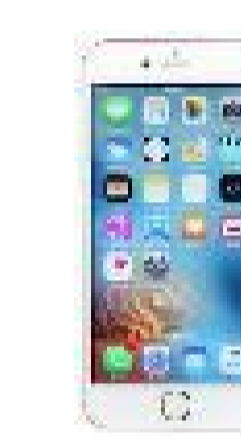
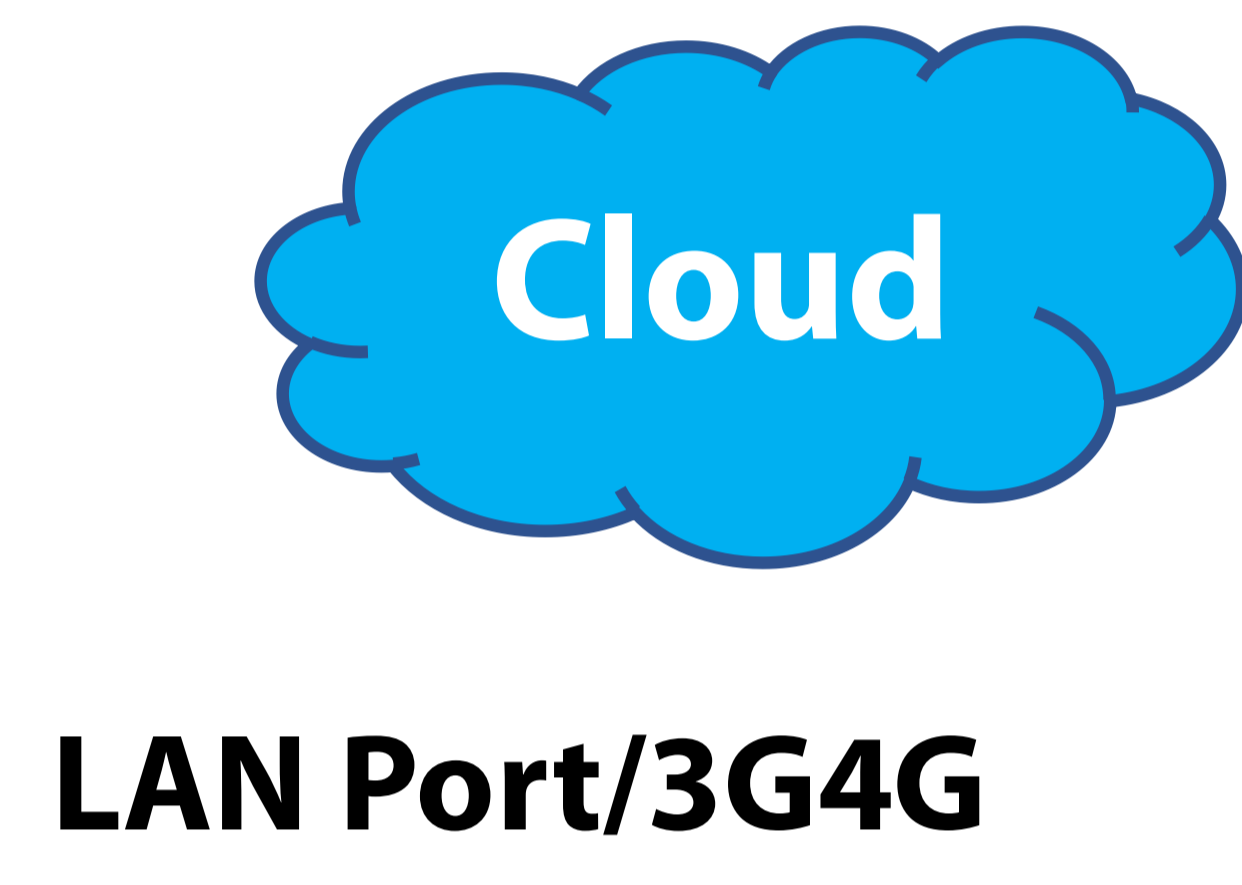
(Wireless WIFI Control)

Windows OS

IPad

IPhone

Solution 2



(Remote Cloud Control 1)

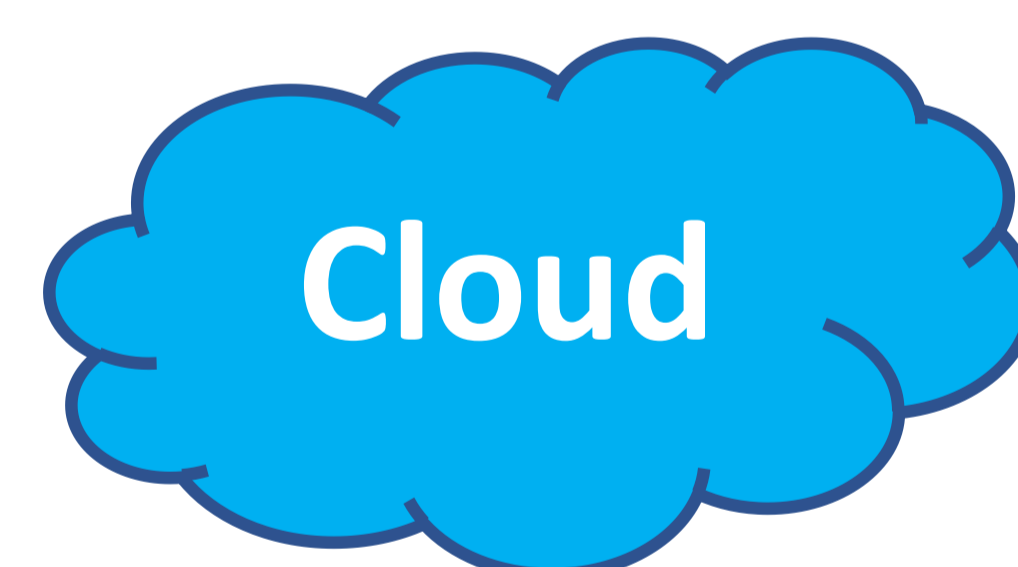
Solution 3



HDMI



Media Player



(Remote Cloud Control 2)

Note: Solution 3 Is Another Solution Just In Case You Want To Use Other Cloud System.



United Signs, LLC

Atlanta | Dallas