

Electrical Requirements

United Signs Message Centers feature robust electronics that are both durable and waterproof. The following information details the minimum electrical requirements:

United Signs will be made of one or more sign sections that are combined and affixed to create one larger, seamless sign.

The electrical will be single phase 120/ 208/ 240 amperage is dependent on the square footage.

D/F 3 x 6 = 30 amp

D/F 4x8 = 40 amps

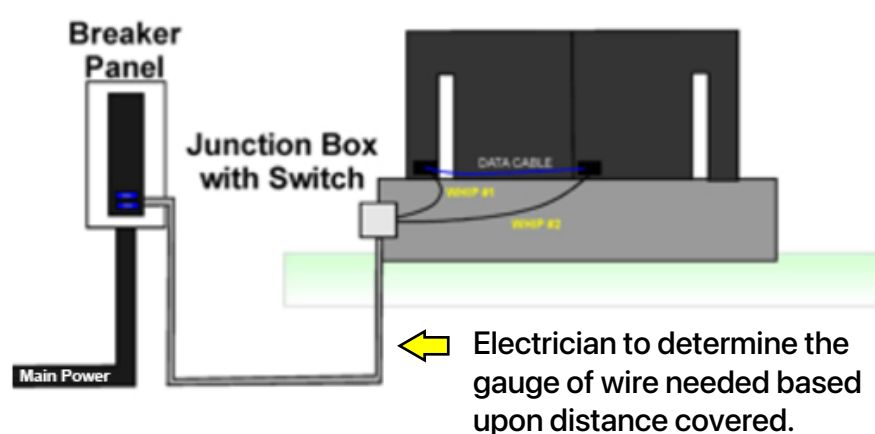
D/F 5 x 10 = 50 amp

D/F 6x10 = 50 amp

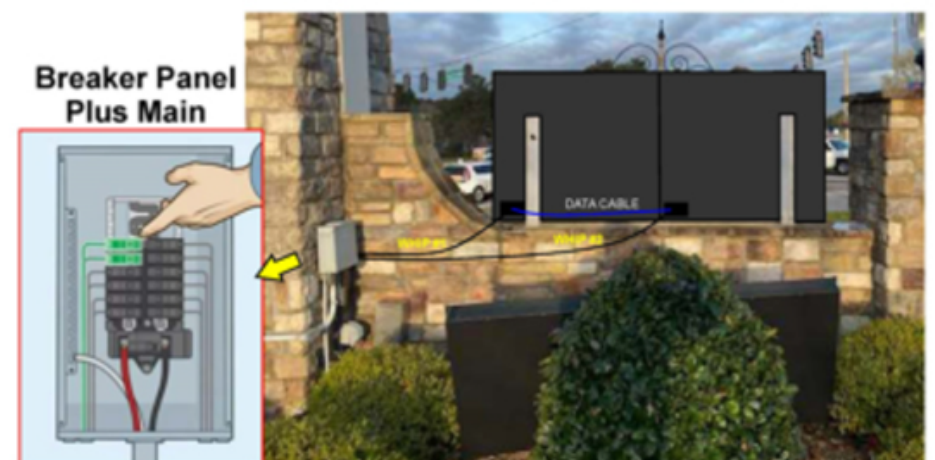
D/F 6 x 12 and larger will be calculated on a case by case and may require a TB 60 controller.

We recommend one of the following setups:

Option A:



Option B:



The United Signs Install Team will connect the EMC to an available local electrical connection.